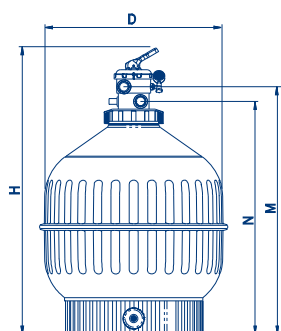


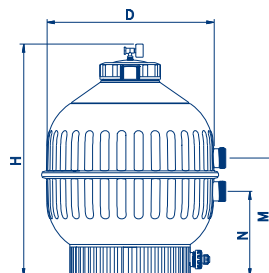
FILTROS DE ARENA INYECTADOS

Filtros Cantabric

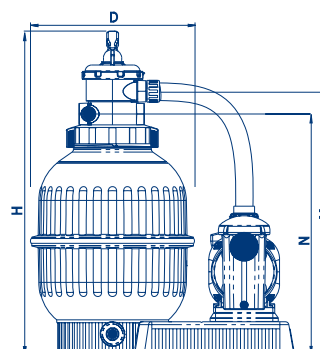
Filtro Top



Filtro Lateral



Monobloc Top



| | Filtro Top | | | | | Filtro lateral | | | | | Monobloc Top |
|--------------------------|------------|-------|-------|-------|-------|----------------|-------|-------|-------|-------|--------------|
| | 22399 | 15780 | 15781 | 20128 | 23866 | 22398 | 15782 | 15783 | 15784 | 22402 | 27813 |
| Ø D (mm) | 400 | 500 | 600 | 750 | 750 | 400 | 500 | 600 | 750 | 900 | 400 |
| H (mm) | 894 | 1009 | 1069 | 1239 | 1250 | 715 | 800 | 875 | 1045 | 1215 | 894 |
| M (mm) | 744 | 829 | 894 | 1064 | 1098 | 380 | 415 | 445 | 575 | 675 | 744 |
| N (mm) | 680 | 765 | 830 | 1000 | 1023 | 255 | 290 | 320 | 345 | 405 | 680 |
| Conexiones | 1½" | 1½" | 1½" | 1½" | 2" | 1½" | 1½" | 1½" | 2" | 2½" | 1½" |
| Caudal m³/h | 6 | 9 | 14 | 21 | 21 | 6 | 9 | 14 | 21 | 30 | 6 |
| Piscina m³ aprox. (8 h)* | 48 | 72 | 112 | 168 | 168 | 48 | 72 | 112 | 168 | 240 | 48 |
| Carga de arena en kg | 60 | 100 | 150 | 300 | 300 | 60 | 100 | 150 | 300 | 550 | 60 |
| Peso neto kg | 8 | 14 | 15 | 23 | 25 | 7 | 12 | 14 | 24 | 34 | 23 |
| Volumen embalaje en m³ | 0,2 | 0,37 | 0,49 | 0,83 | 0,83 | 0,15 | 0,29 | 0,4 | 0,67 | 1,3 | 0,34 |

Filtros equipado con tapón de vaciado de arena de Ø 2" en los modelos Ø 750 mm y Ø 900 mm, y de 1½" en los modelos Ø 400 mm, Ø 500 mm y Ø 600 mm

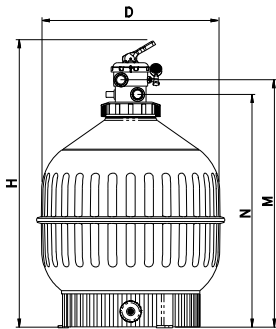
* 8 horas de período de renovación

| Cantabric / Sena | |
|------------------|--------|
| | 27813 |
| Ø (mm) | 400 |
| Bomba | Sena |
| Potencia (CV) | 1/3 |
| Voltaje (V) | 230 II |
| Frecuencia (Hz) | 50 |

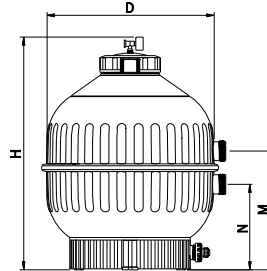
INJECTION MOULDED SAND FILTERS

Cantabric filters

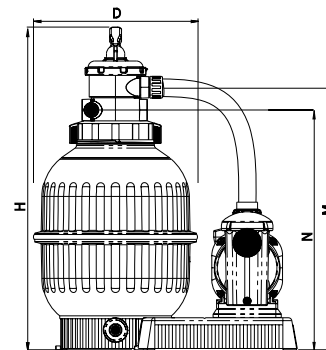
Top mounted



Side mounted



Top mounted monobloc



| | Top mounted | | | | | Side mounted | | | | | Monobloc Top |
|-------------------------------------|-------------|-------|-------|-------|-------|--------------|-------|-------|-------|-------|--------------|
| | 22399 | 15780 | 15781 | 20128 | 23866 | 22398 | 15782 | 15783 | 15784 | 22402 | 27813 |
| Ø D (mm) | 400 | 500 | 600 | 750 | 750 | 400 | 500 | 600 | 750 | 900 | 400 |
| H (mm) | 894 | 1009 | 1069 | 1239 | 1250 | 715 | 800 | 875 | 1045 | 1215 | 894 |
| M (mm) | 744 | 829 | 894 | 1064 | 1098 | 380 | 415 | 445 | 575 | 675 | 744 |
| N (mm) | 680 | 765 | 830 | 1000 | 1023 | 255 | 290 | 320 | 345 | 405 | 680 |
| Connections | 1½" | 1½" | 1½" | 1½" | 2" | 1½" | 1½" | 1½" | 2" | 2½" | 1½" |
| Flow rate m³/h | 6 | 9 | 14 | 21 | 21 | 6 | 9 | 14 | 21 | 30 | 6 |
| Approx. pool volume (m³) (8 hours)* | 48 | 72 | 112 | 168 | 168 | 48 | 72 | 112 | 168 | 240 | 48 |
| Sand, kg | 60 | 100 | 150 | 300 | 300 | 60 | 100 | 150 | 300 | 550 | 60 |
| Net weight, kg | 8 | 14 | 15 | 23 | 25 | 7 | 12 | 14 | 24 | 34 | 23 |
| Package volume m³ | 0.2 | 0.37 | 0.49 | 0.83 | 0.83 | 0.15 | 0.29 | 0.4 | 0.67 | 1.3 | 0.34 |

Fitted with sand dump port of Ø 2" in Ø 750 mm & Ø 900 mm models, and of 1½" in Ø 400 mm, Ø 500 mm & Ø 600 mm models

* 8 hours turnover rate

| Cantabric / Sena | |
|------------------|--------|
| | 27813 |
| Ø (mm) | 400 |
| Pump | Sena |
| Power (HP) | 1/3 |
| Voltage (V) | 230 II |
| Frequency (Hz) | 50 |