

BLOW-MOULDED SAND FILTERS

Millennium filters

Top mounted



Side mounted



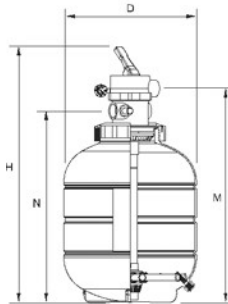
Top mounted monobloc



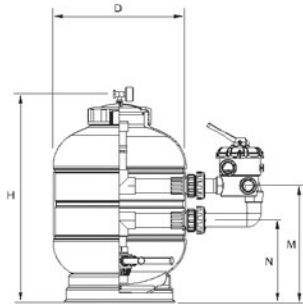
Side mounted monobloc



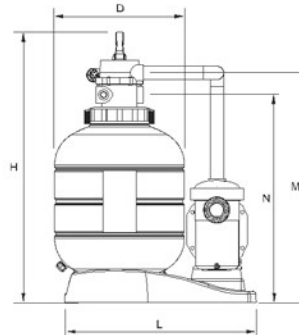
A



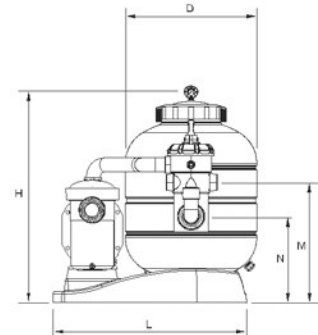
B



C



D



	A - Top mounted					B - Side mounted					C - Top mounted monobloc					D - Side mounted monobloc				
	27811	22407	22408	22409	28253	27809	25296	25297	25298	28252	27805	23342	23343	23344	28299	27804	23348	23349	23350	28301
Ø D (mm)	380	430	480	560	660	380	430	480	560	660	380	430	480	560	660	380	430	480	560	660
H (mm)	895	875	920	995	1160	675	715	742	830	960	905	955	975	1055	1125	685	735	745	830	962
M (mm)	725	735	780	855	920	385	395	420	460	570	735	815	835	915	990	390	415	410	460	570
N (mm)	660	655	700	775	850	260	270	295	335	510	670	735	755	815	925	265	290	285	335	510
Length L (mm)	-	-	-	-	-	-	-	-	-	-	710	715	835	835	835	710	715	835	835	835
Connections	1½"	1½"	1½"	1½"	1½"	1½"	1½"	1½"	1½"	1½"	1½"	1½"	1½"	1½"	1½"	1½"	1½"	1½"	1½"	1½"
Flow rate m³/h	5.5	7	9	12	17	5.5	7	9	12	17	5.5	7	9	12	17	5.5	7	9	12	17
Approx. pool volume m³	up to 40	40-50	50-75	75-100	140	up to 40	40-50	50-75	75-100	140	up to 40	40-50	50-75	75-100	140	up to 40	40-50	50-75	75-100	140
Sand, kg	40	60	85	135	250	40	60	85	135	250	40	60	85	135	250	40	60	85	135	250
Maxi working pressure kg/cm²	2.5	2.5	2.5	2.5	2.5	2.5	2.5	2.5	2.5	2.5	2.5	2.5	2.5	2.5	2.5	2.5	2.5	2.5	2.5	2.5
Net weight kg	13	14	16	17	24.5	10.5	13	16	18	29	27	27	31	35	41	28	28	31	35	41
Package volume m³	0.17	0.17	0.24	0.35	0.52	0.13	0.13	0.18	0.26	0.42	0.33	0.33	0.43	0.50	0.59	0.33	0.33	0.43	0.50	0.59

	Millennium / Sena				
Side monobloc	27804	23348	23349	23350	28301
Top monobloc	27805	23342	23343	23344	28299
Ø (mm)	380	430	480	560	660
Pump	Sena	Sena	Sena	Sena	Sena
Power (HP)	1/3	1/3	1/2	3/4	1.25
Voltage (V)	230 II	230 II	230 II	230 II	230 II
Frequency (Hz)	50	50	50	50	50