

# EUROPE FILTER 4KG 1M (3)

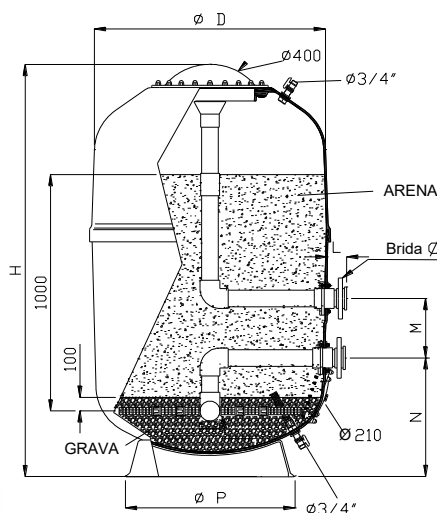
## FEATURES

- ✓ This filter is manufactured with fiber-glass and polyester resin.
- ✓ Totally anticorrosive.
- ✓ Fitted with collector arms and diffuser made from unplasticised PVC and polypropilene.
- ✓ Resistent to salted water.
- ✓ Contains newly designed larger and more resistant ABS collector arms.
- ✓ Can be connected to a 4/5 valve battery.
- ✓ Interior painted with chemical barrier, giving an excellent product finish.
- ✓ Maximum working pressure of 4 Kg/cm2.

## CARACTERÍSTICAS

- ✓ Filtro laminado en fibra de vidrio y poliéster.
- ✓ Totalmente anticorrosivo.
- ✓ Montado con colectores y difusor de material Plástico inalterable PVC y Polipropileno.
- ✓ Resistente al agua salada.
- ✓ Son novedad también los brazos colectores ABS, más resistentes y de mayor tamaño.
- ✓ Posibilidad de acoplarse batería de válvulas.
- ✓ El pintado interior con top-coat da un excelente acabado al producto.
- ✓ Presión máxima de trabajo 4 Kg/cm2

Code	34258	34259	34260	34261	34262	34263	34264	34265
Model (mm)	2000				2350			
Connections (inch)	4"	4 ½"	5"	6"	4 ½"	5"	6"	7"
Filtering velocity (m <sup>3</sup> /h/m <sup>2</sup> )	20	30	40	50	20	30	40	50
Filtration Area (m <sup>2</sup> )	3.14				4.34			
Flow (m <sup>3</sup> /h)	62	94	125	157	87	130	174	217
Maximum pressure (bar)	4							
Sand (0.4-0.8mm) (kg)	3750				5000			
Net weight (kg)	425				700			
D (mm)	2000				2350			
H (mm)	2200				2430			
M (mm)					400			
N (mm)	805				950			



## PACKAGING

Code	34258	34259	34260	34261	34262	34263	34264	34265
Model (mm)	2000				2350			
Box dimensions (m)	2.2x2.2x2.38				2.48x2.48x2.6			
Volume (m <sup>3</sup> )	11.51				15.99			

# EUROPE FILTER 4KG 1M (4)

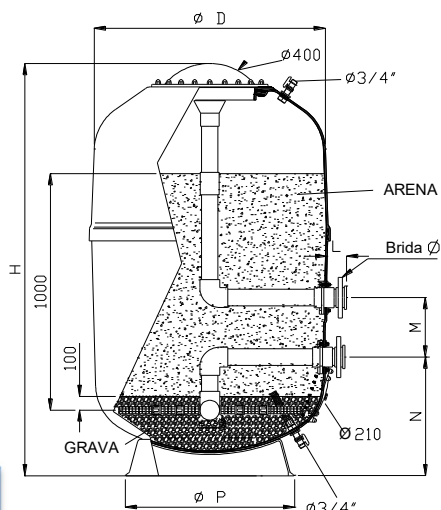
## FEATURES

- ✓ This filter is manufactured with fiber-glass and polyester resin.
- ✓ Totally anticorrosive.
- ✓ Fitted with collector arms and diffuser made from unplasticised PVC and polypropilene.
- ✓ Resistent to salted water.
- ✓ Contains newly designed larger and more resistant ABS collector arms.
- ✓ Can be connected to a 4/5 valve battery.
- ✓ Interior painted with chemical barrier, giving an excellent product finish.
- ✓ Maximum working pressure of 4 Kg/cm2.

## CARACTERÍSTICAS

- ✓ Filtro laminado en fibra de vidrio y poliéster.
- ✓ Totalmente anticorrosivo.
- ✓ Montado con colectores y difusor de material Plástico inalterable PVC y Polipropileno.
- ✓ Resistente al agua salada.
- ✓ Son novedad también los brazos colectores ABS, más resistentes y de mayor tamaño.
- ✓ Posibilidad de acoplarse batería de válvulas.
- ✓ El pintado interior con top-coat da un excelente acabado al producto.
- ✓ Presión máxima de trabajo 4 Kg/cm2

Code	34266	34267	34268	34269
Model (mm)	2500			
Connections (inch)	5"	6"	7"	8"
Filtering velocity (m <sup>3</sup> /h/m <sup>2</sup> )	20	30	40	50
Filtration Area (m <sup>2</sup> )	4.9			
Flow (m <sup>3</sup> /h)	100	150	200	225
Maximum pressure (bar)	4			
Sand (0.4-0.8mm) (kg)	5600			
Net weight (kg)	860			
D (mm)	2500			
H (mm)	2525			
M (mm)	500			
N (mm)	1015			



## PACKAGING

Code	34266	34267	34268	34269
Model (mm)	2500			
Box dimensions (m)	2.56x2.56x2.7			
Volume (m <sup>3</sup> )	17.69			